

Installation Guide for AC-7000 V1.0

Face Recognition Terminal



Doc Ver1.2
Dec.,24,2014
R&D Center
Union Community Co., Ltd.

1. The maximum cable length & thickness for installation

1) Using 12V 3.5A Power Supply & AWG24



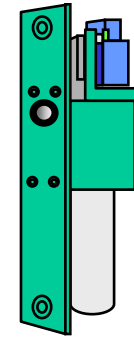
12V 3.5A Adapter

AWG24 10m



AC-7000

AWG24 5m



Dead-Bolt
BEHOST BHL-700C
(Standby:0.15A, Start:0.9A)

2) Using 12V 3.5A Power Supply & AWG22



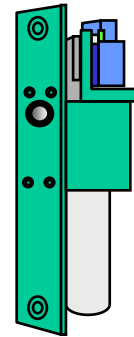
12V 3.5A Adapter

AWG22 15m



AC-7000

AWG22 10m



Dead-Bolt
BEHOST BHL-700C
(Standby:0.15A, Start:0.9A)

* Caution: The data is the value when using the adapter and the dead-bolt supplied by the Union Community.

1. The maximum cable length & thickness for installation

3) Using 15V 4A Power Supply & AWG24



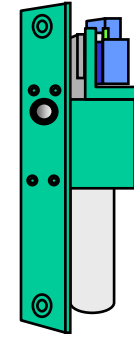
15V 4A Adapter

AWG24 15m



AC-7000

AWG24 10m



Dead-Bolt
BEHOST BHL-700C
(Standby:0.15A, Start:0.9A)

4) Using 15V 4A Power Supply & AWG22



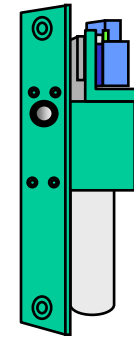
15V 4A Adapter

AWG22 30m



AC-7000

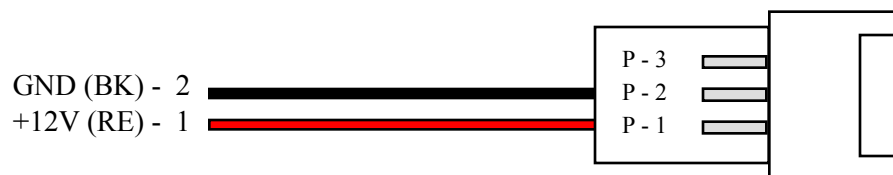
AWG22 20m



Dead-Bolt
BEHOST BHL-700C
(Standby:0.15A, Start:0.9A)

- * Caution: 1. The data is the value when using the adapter and the dead-bolt supplied by the Union Community.
- 2. If using another dead-bolt, you should ensure that the dead-bolt works well with 15V power supply

2. Description of External Cables



Power Adapter Cable



Wiegand Cable (5P)



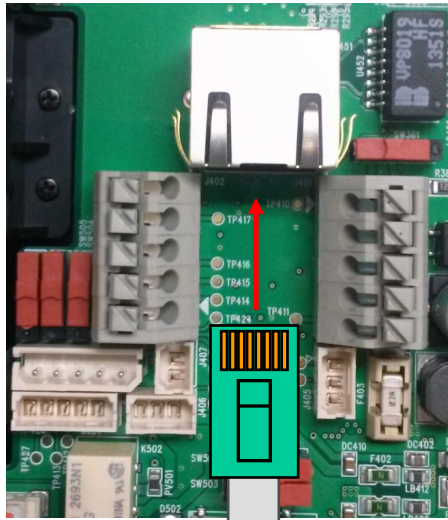
RS232 Cable (3P)



Lock Status Cable (5P)

3. Connecting Ethernet (LAN) Cable

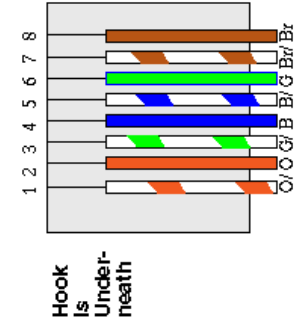
J451-RJ45



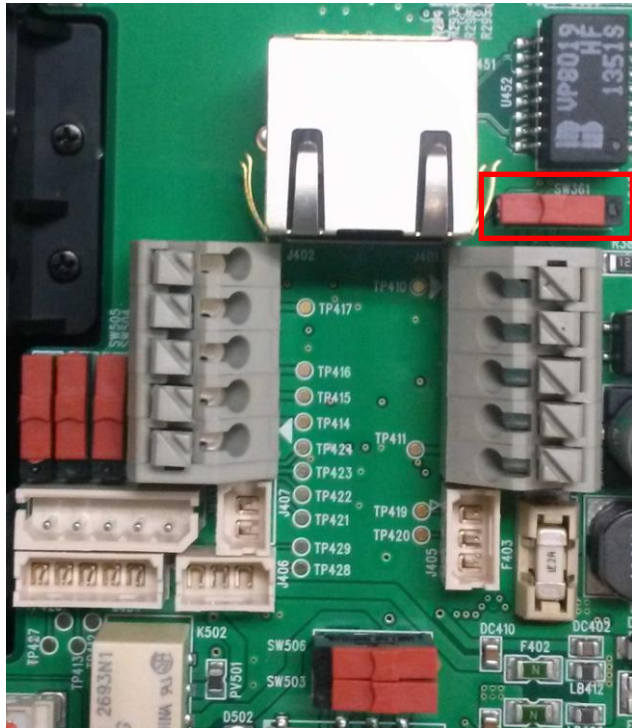
UTP 10Base-T

Switch Hub

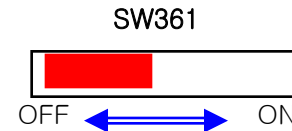
** UTP Connector



4. Resistor Setting for RS485 End Termination

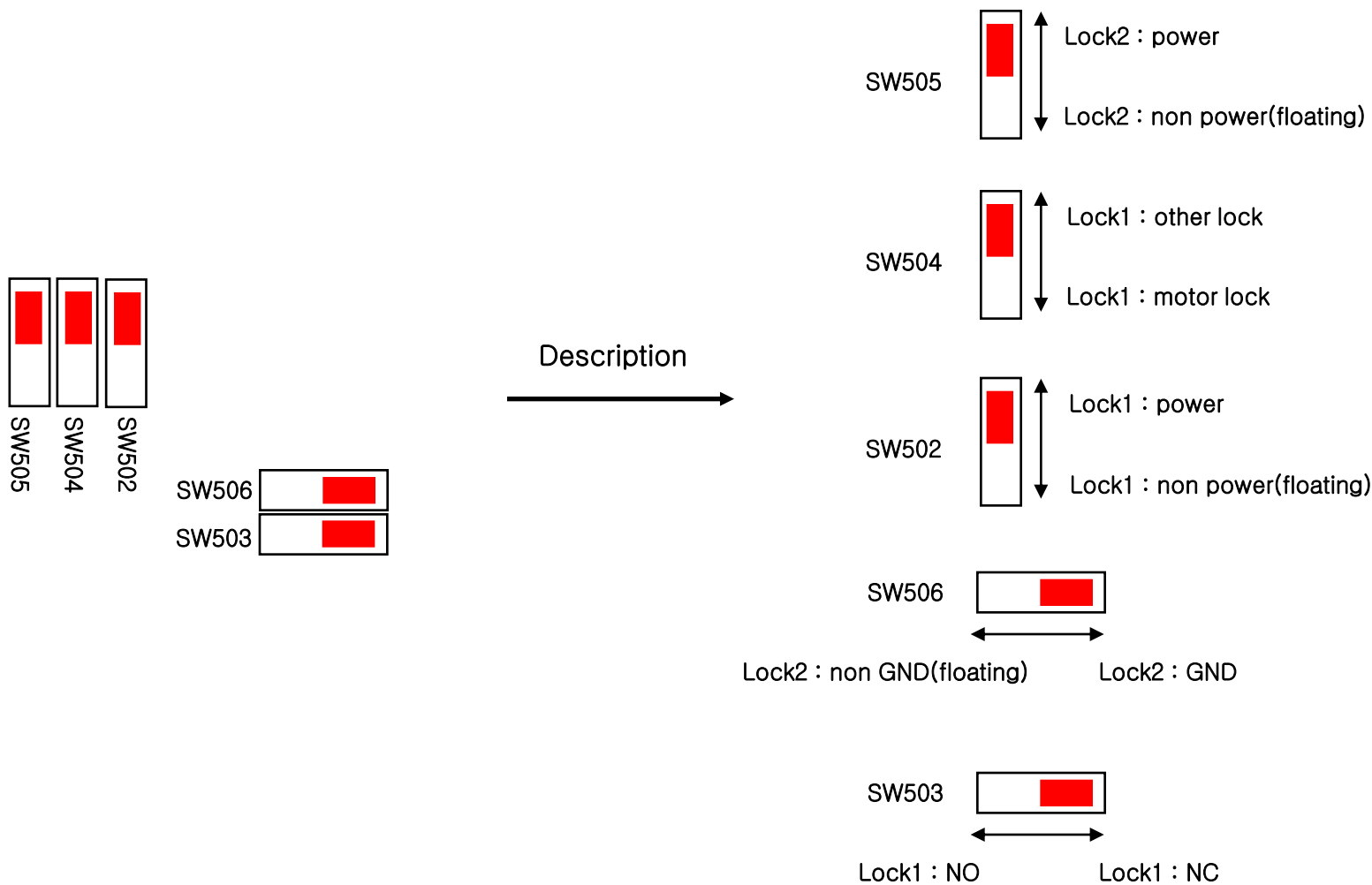


SW361



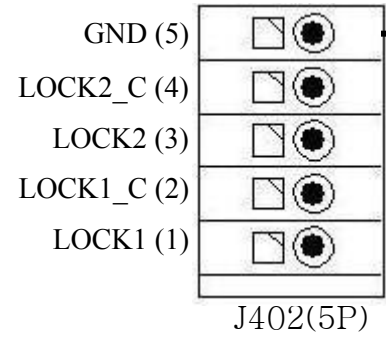
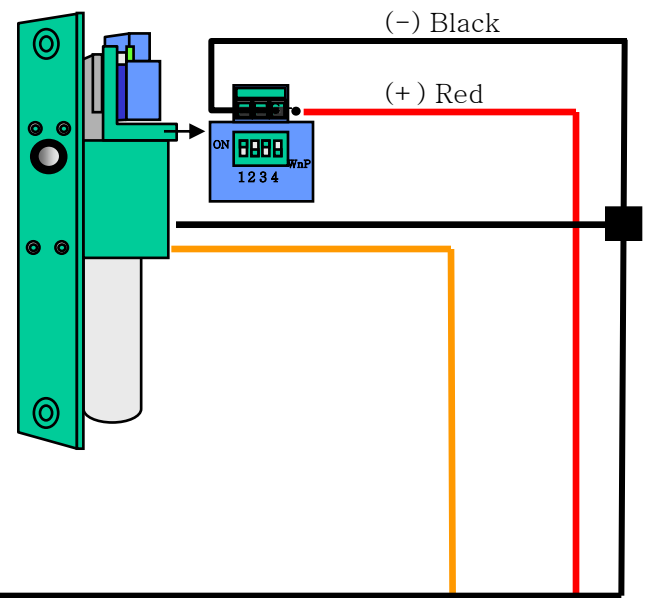
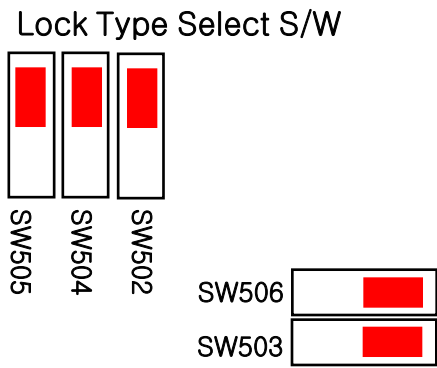
- * Default Setting is off.
- * ON: 120 Ohm Resistor is connected between 485A and 485B

5. Description of the switch for setting lock



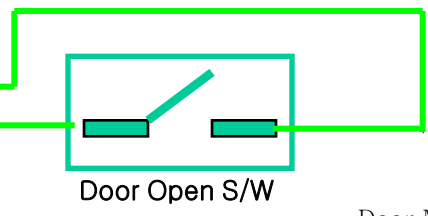
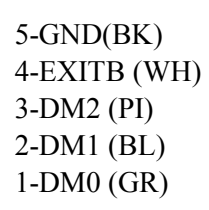
6. Connecting a Dead-Bolt Type Door Lock (Fail Safe)

6.1. Connecting One System/ One Lock



Lock (-)

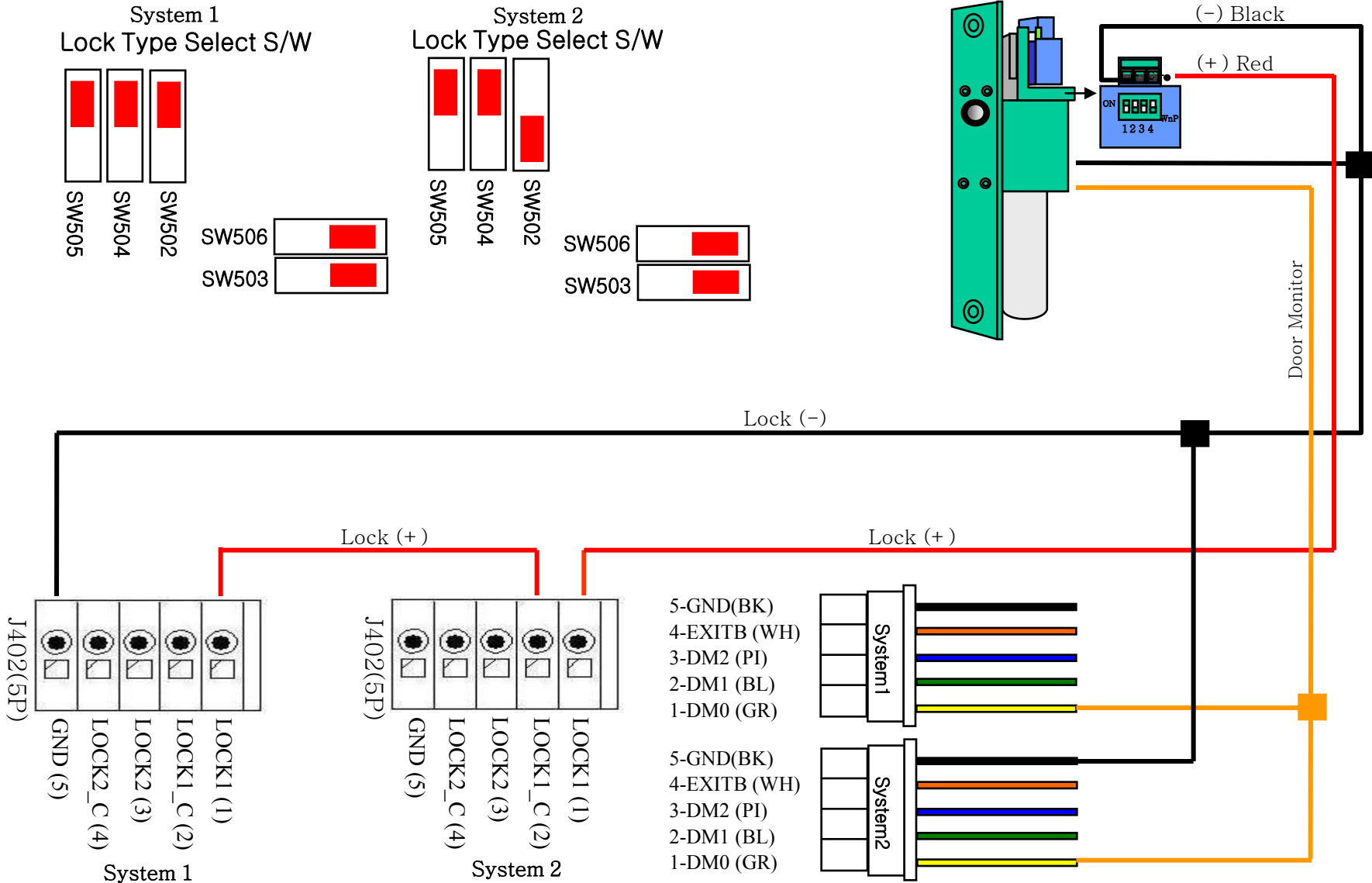
Lock (+)



Door Monitor

6. Connecting a Dead-Bolt Type Door Lock (Fail Safe)

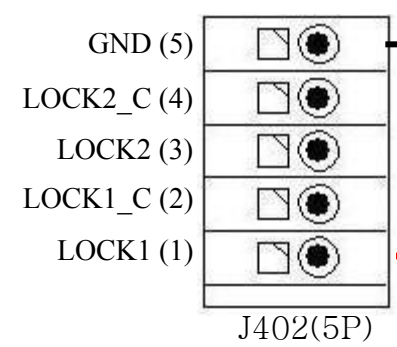
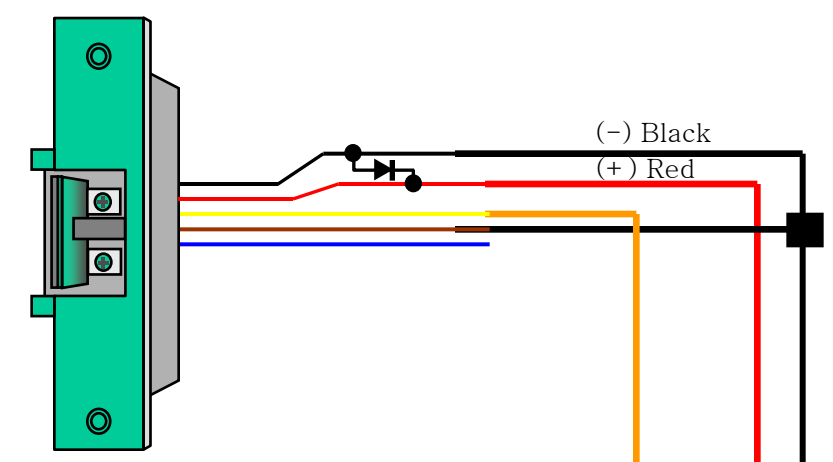
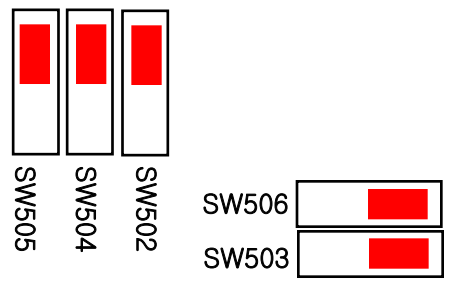
6.2. Connecting Two Systems/ One Lock



7. Connecting a Strike Type Door Lock (Fail Safe)

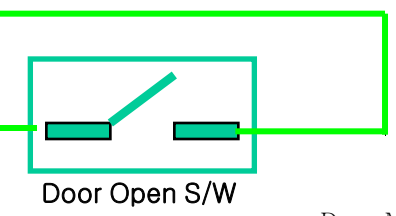
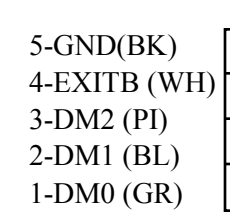
7.1. Connecting One System/ One Lock

Lock Type Select S/W



Lock (-)

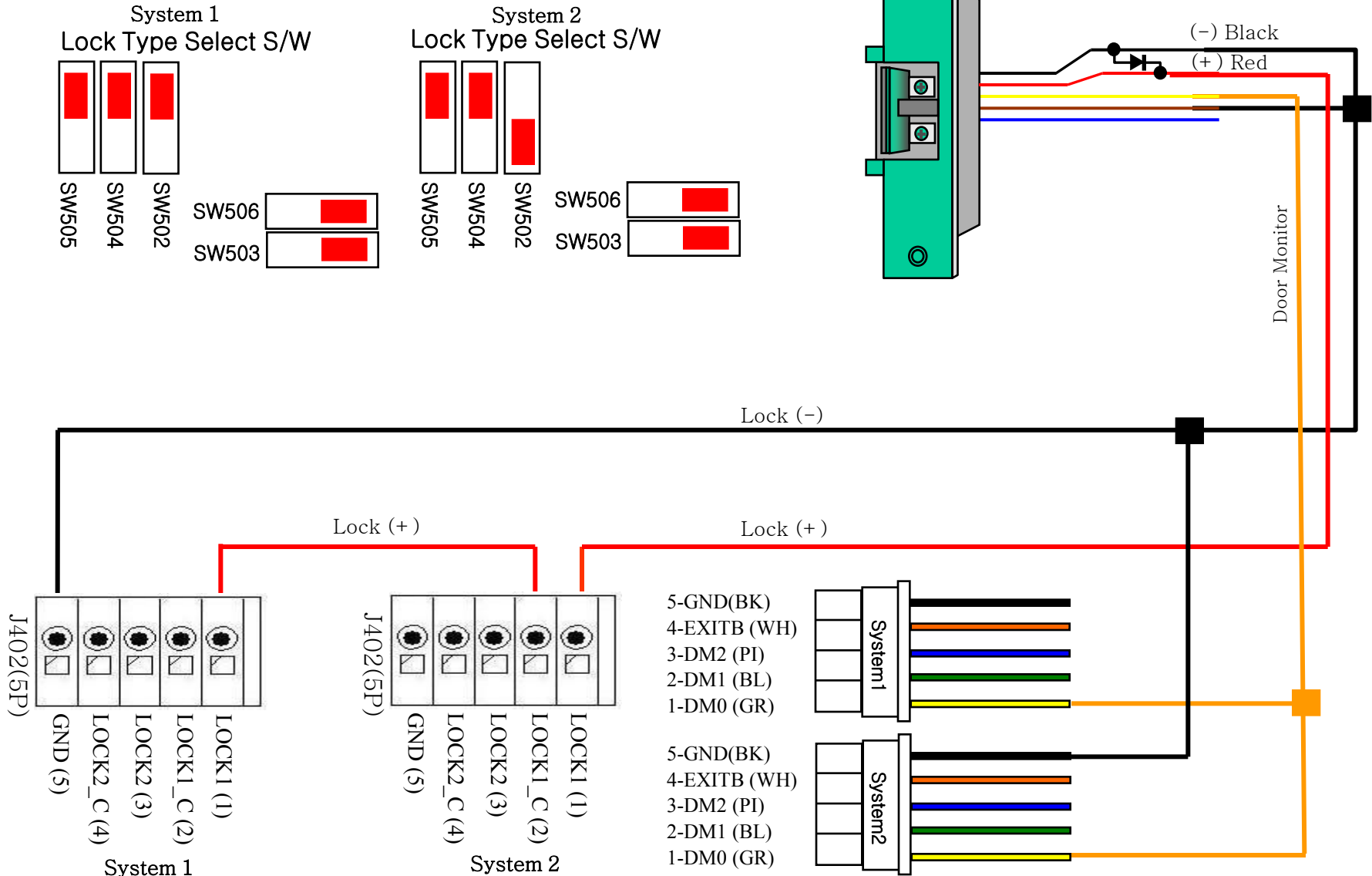
Lock (+)



Door Monitor

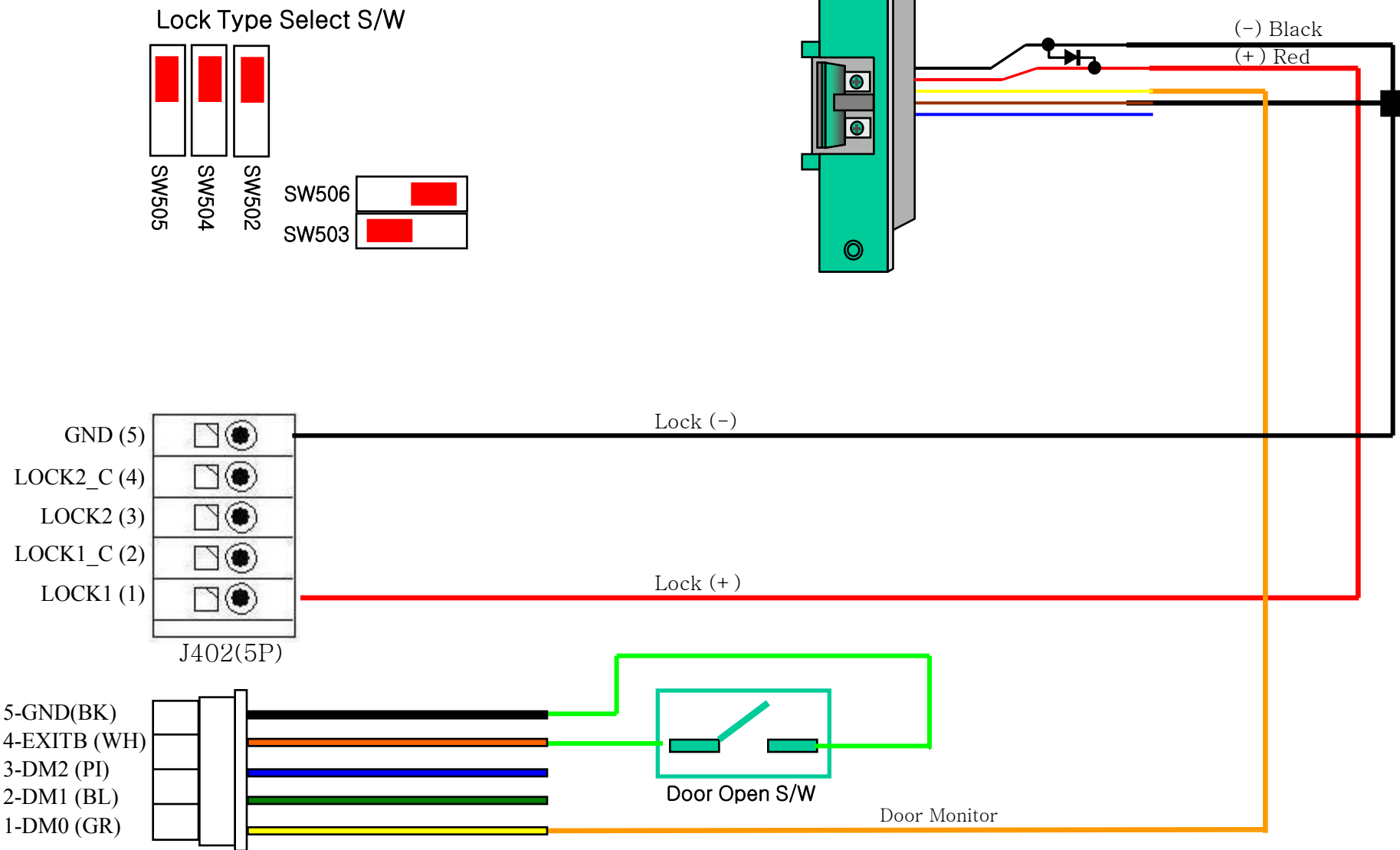
7. Connecting a Strike Type Door Lock (Fail Safe)

7.2. Connecting Two Systems/ One Lock



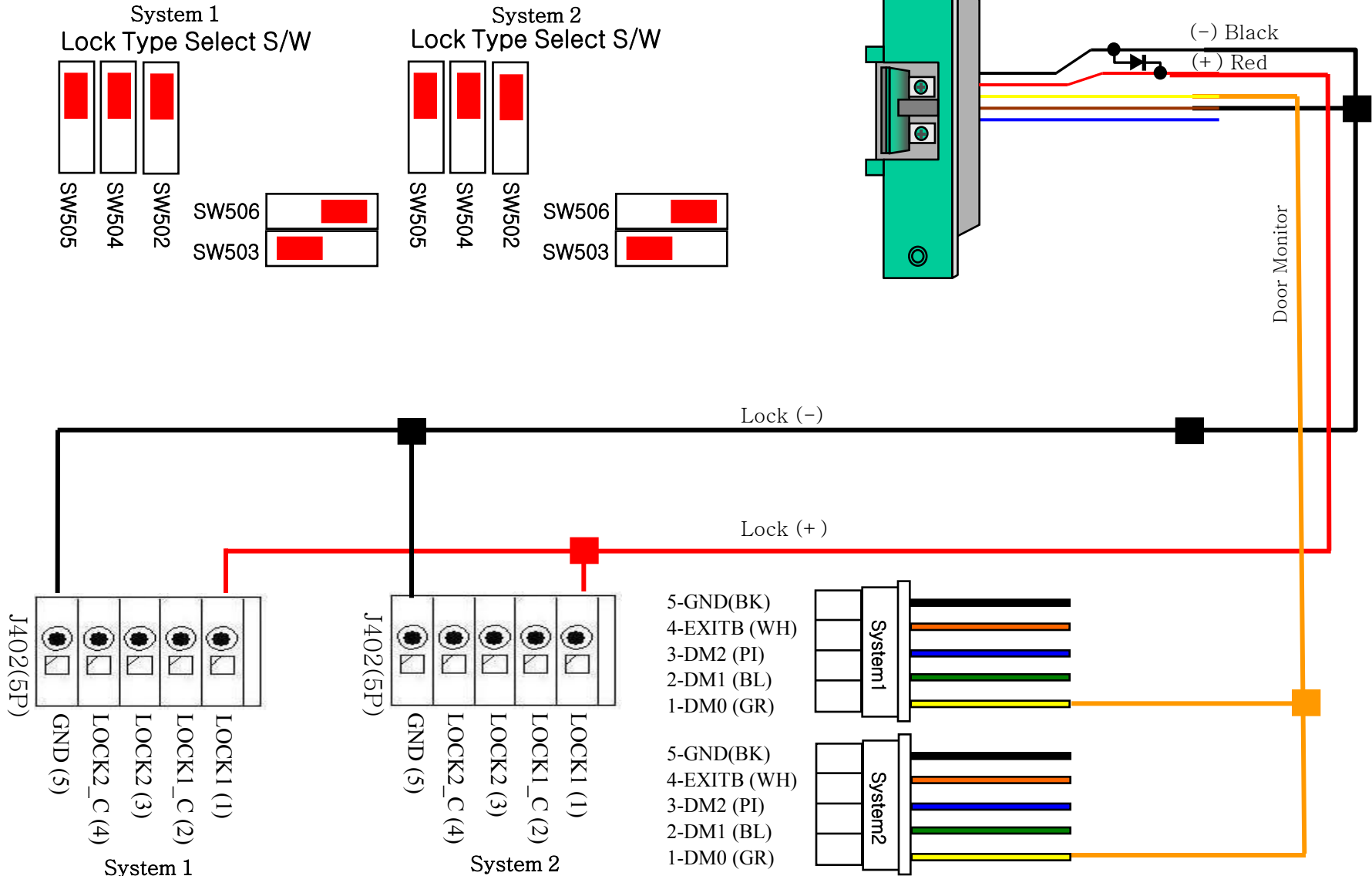
8. Connecting a Strike Type Door Lock (Fail Secure)

8.1. Connecting One System/ One Lock



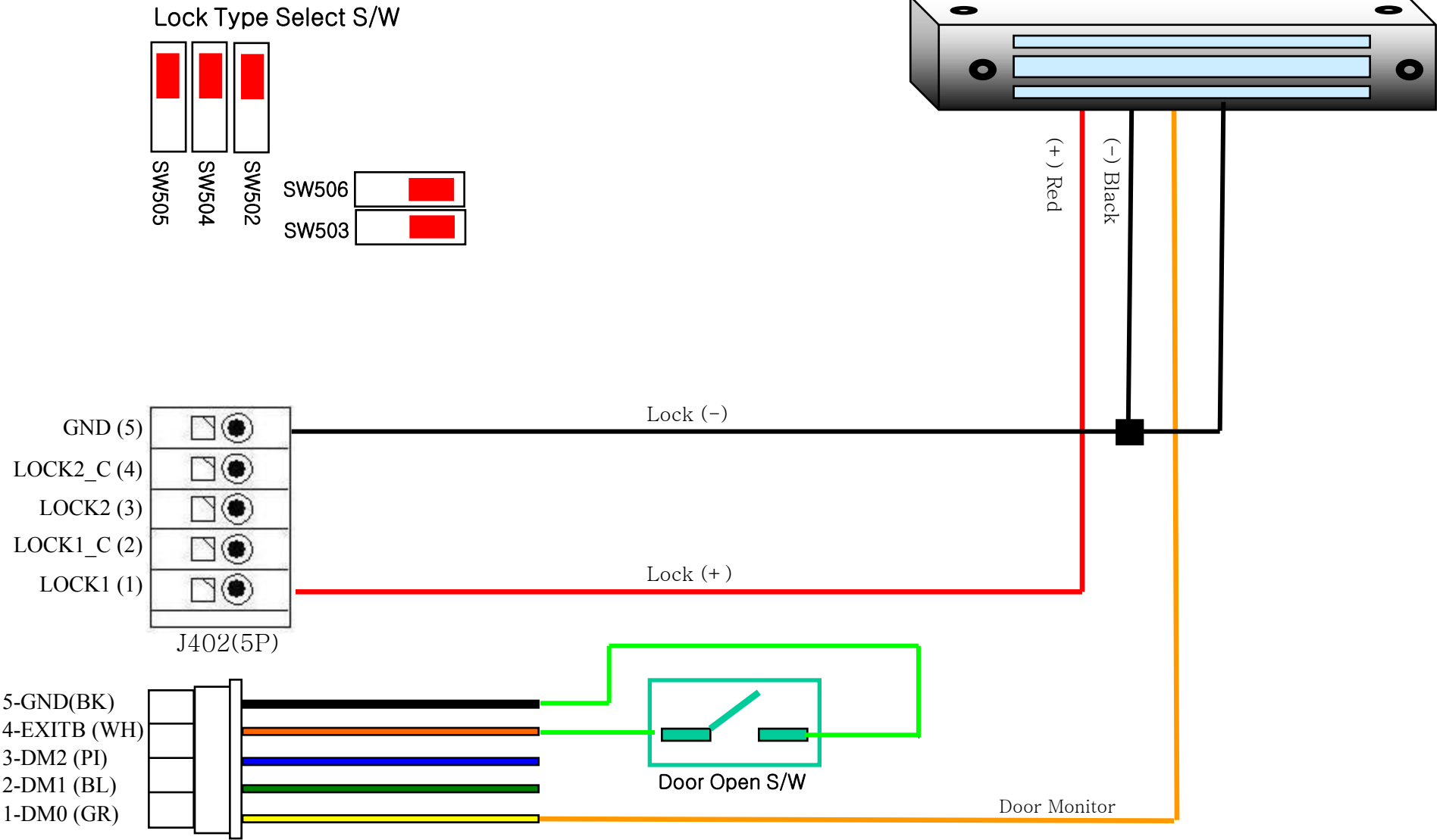
8. Connecting a Strike Type Door Lock (Fail Secure)

8.2. Connecting Two Systems/ One Lock



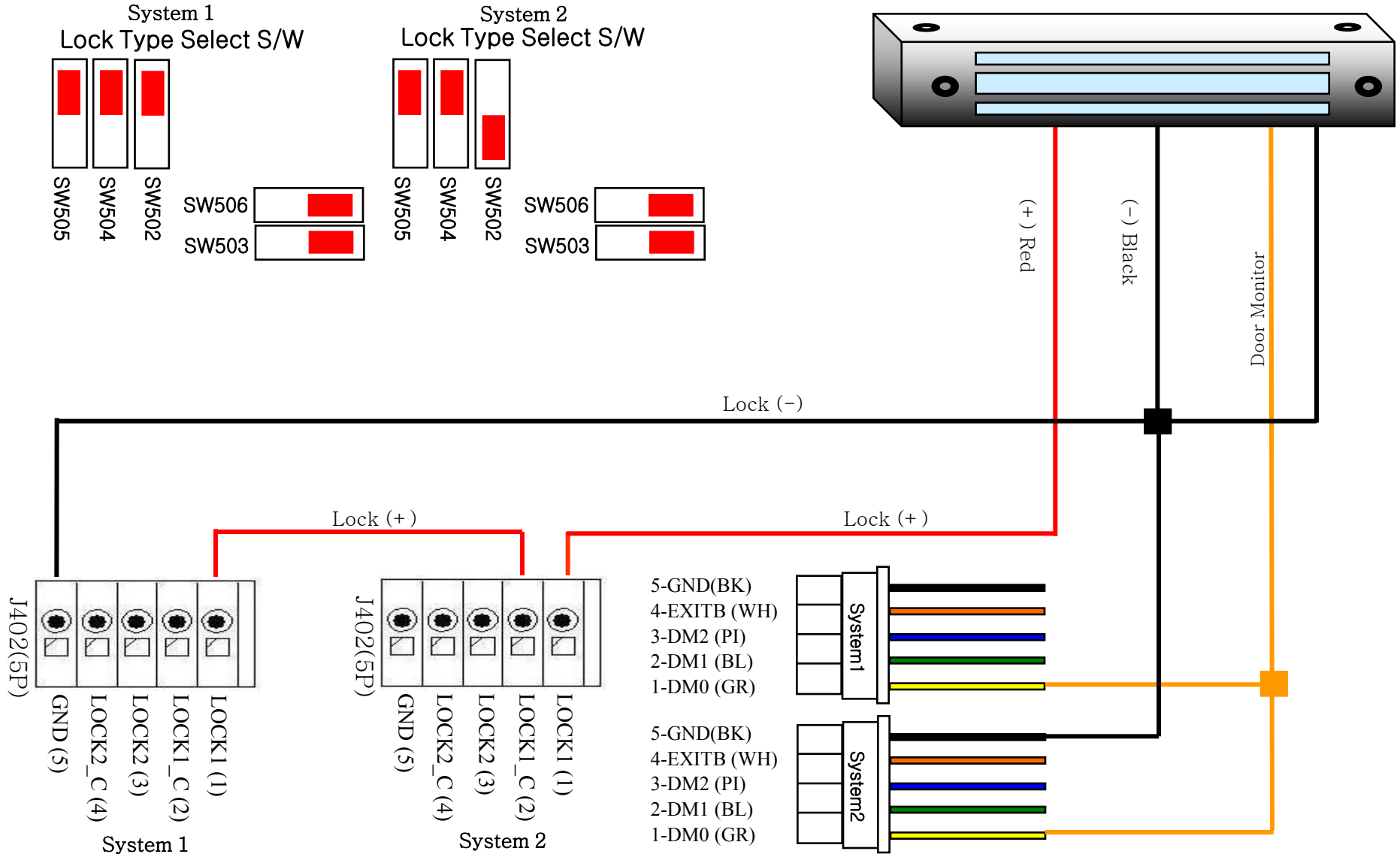
9. Connecting an EM Type Door Lock (Fail Safe)

9.1. Connecting One System/ One Lock



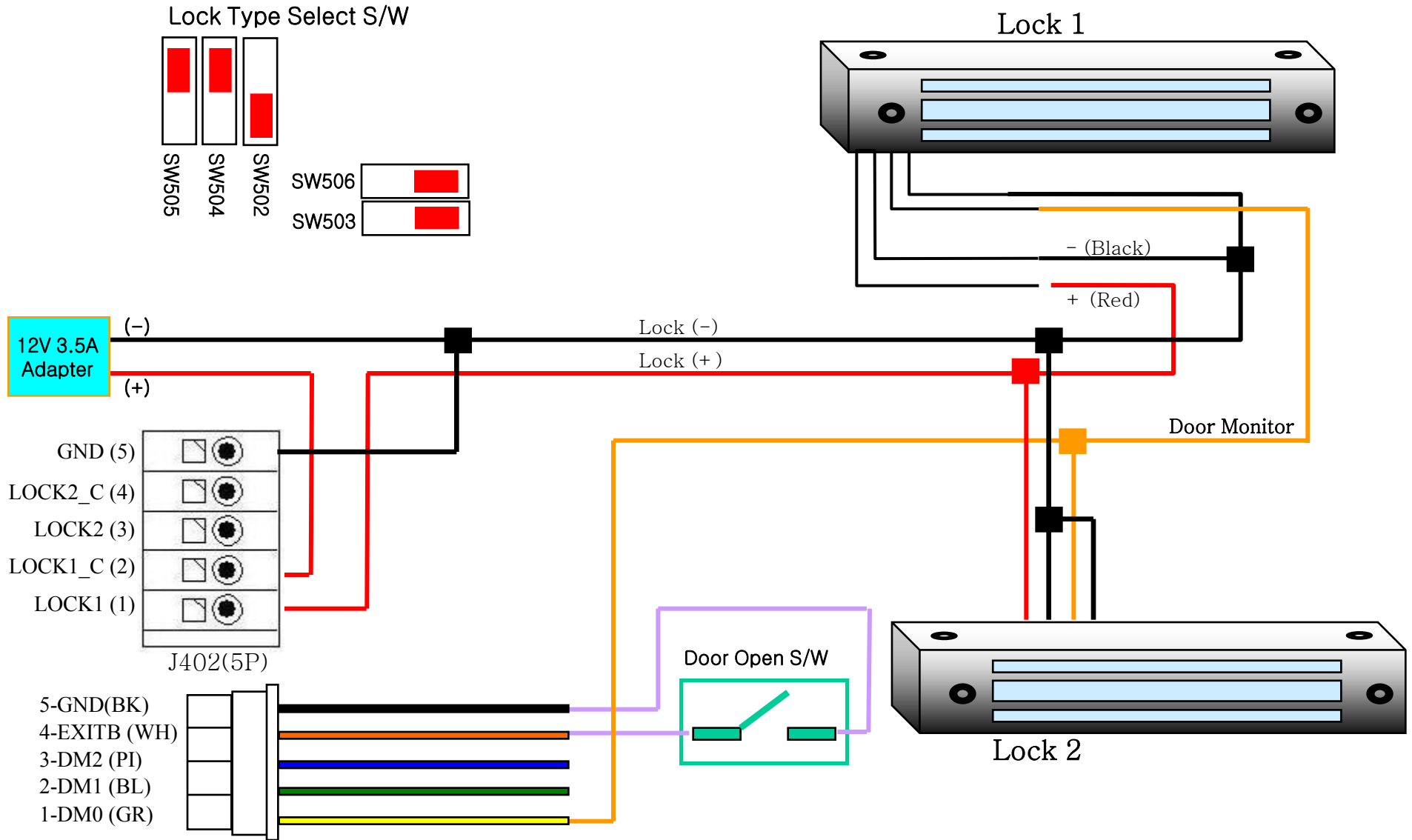
9. Connecting an EM Type Door Lock (Fail Safe)

9.2. Connecting Two Systems/ One Lock



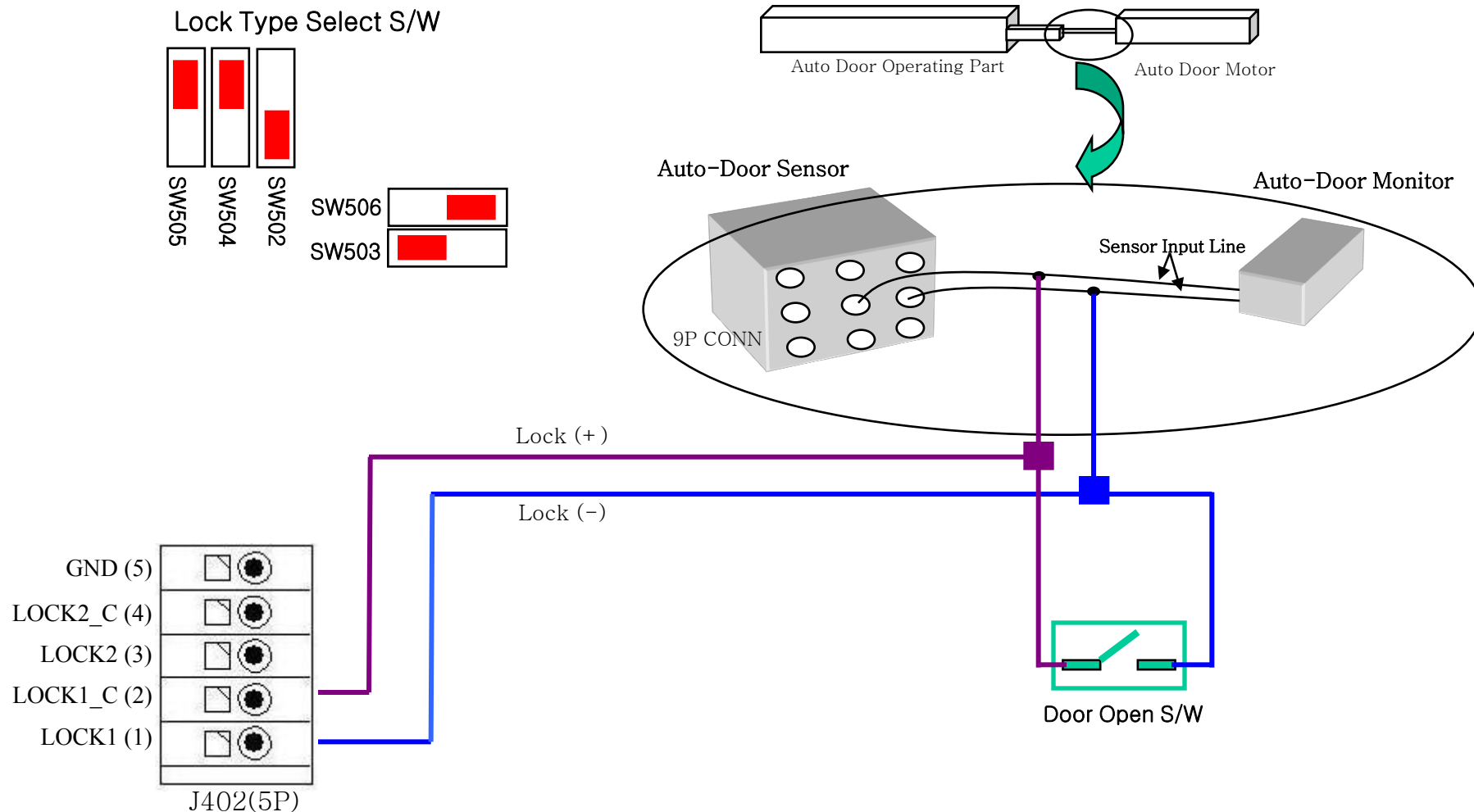
9. Connecting an EM Type Door Lock (Fail Safe)

9.3. Connecting One System/ Two Locks “ Use external DC Power adapter”



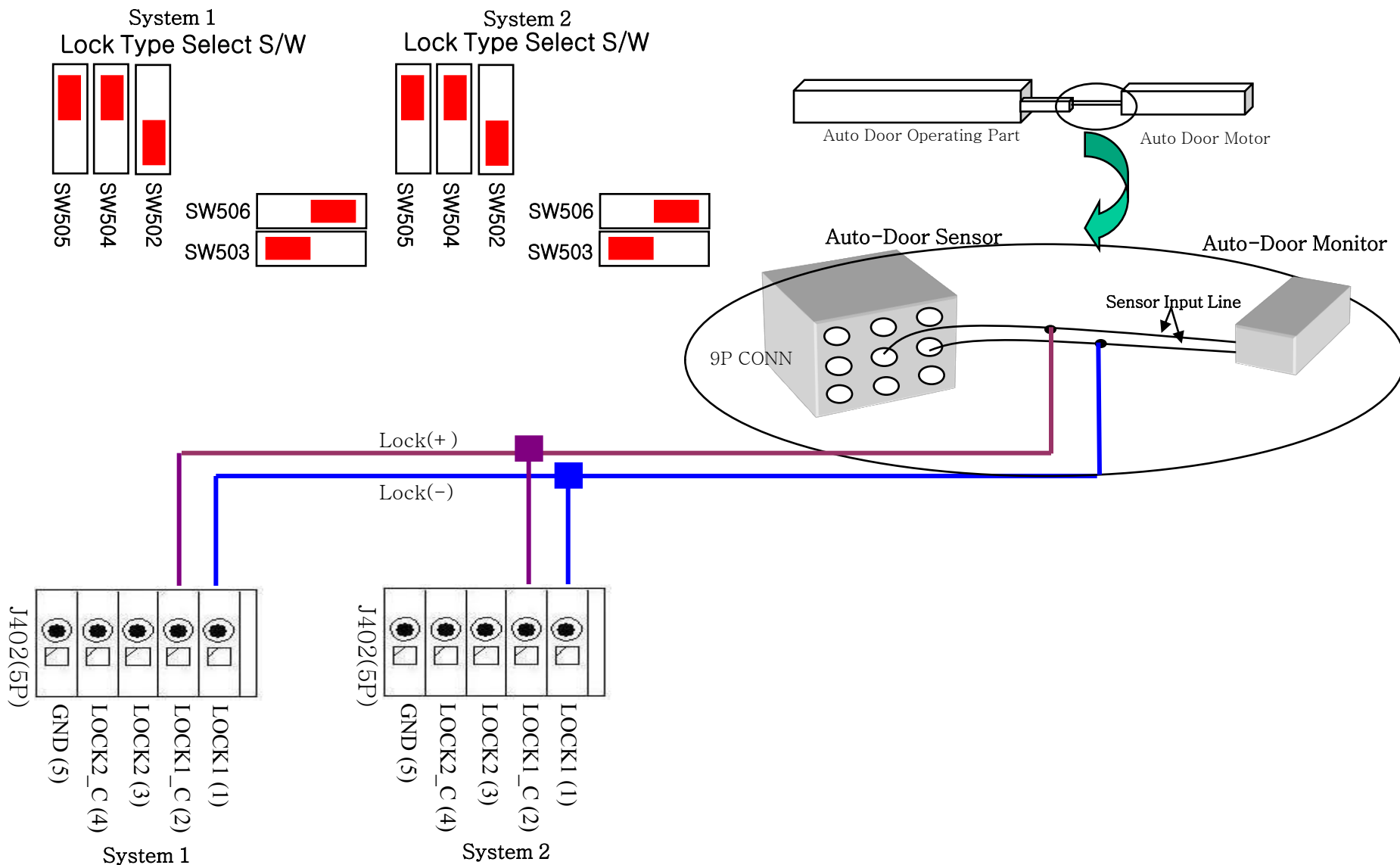
10. Connecting Auto-Door (Contact Control)

10.1. Connecting One System/ One Door

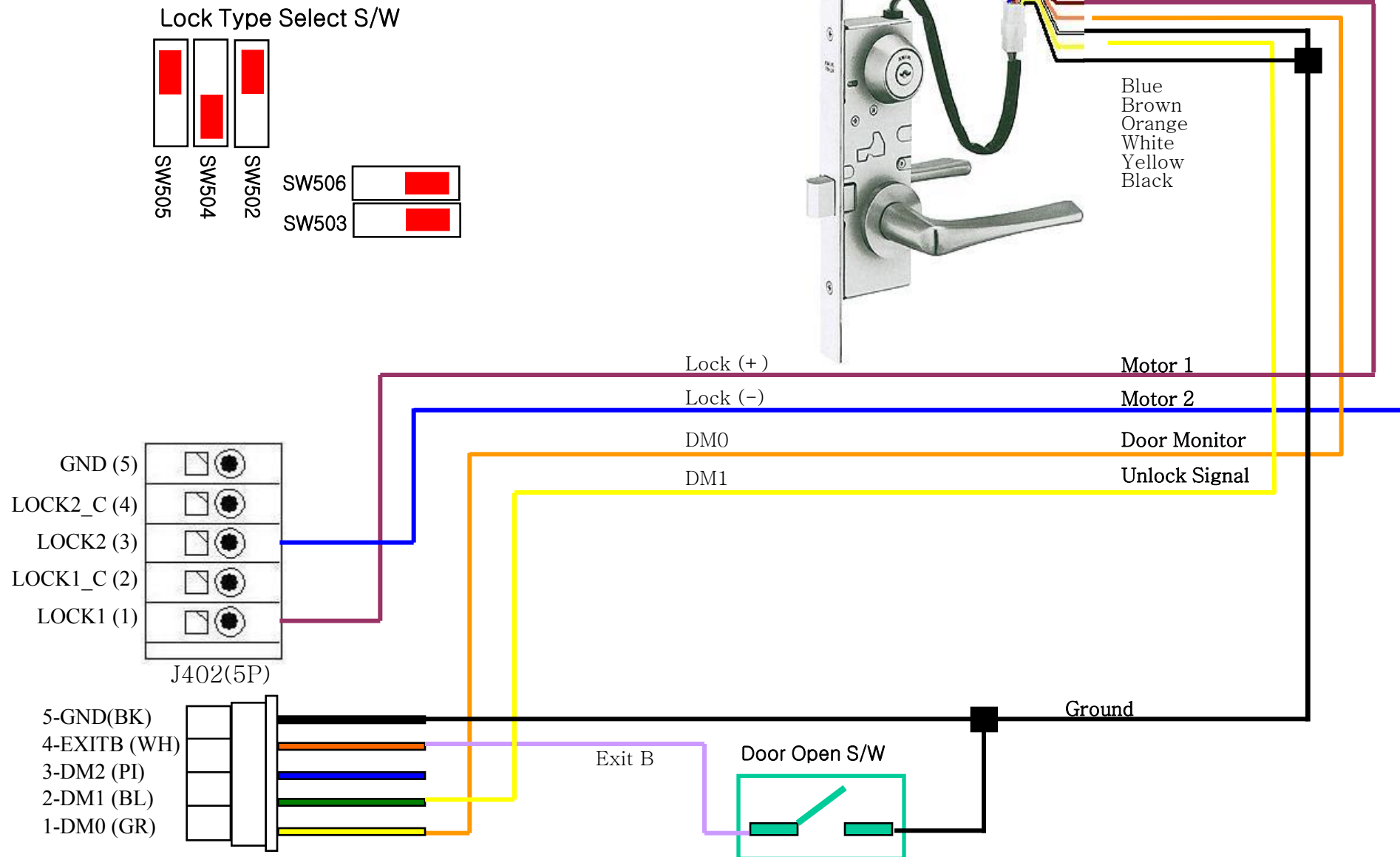


10. Connecting Auto-Door (Contact Control)

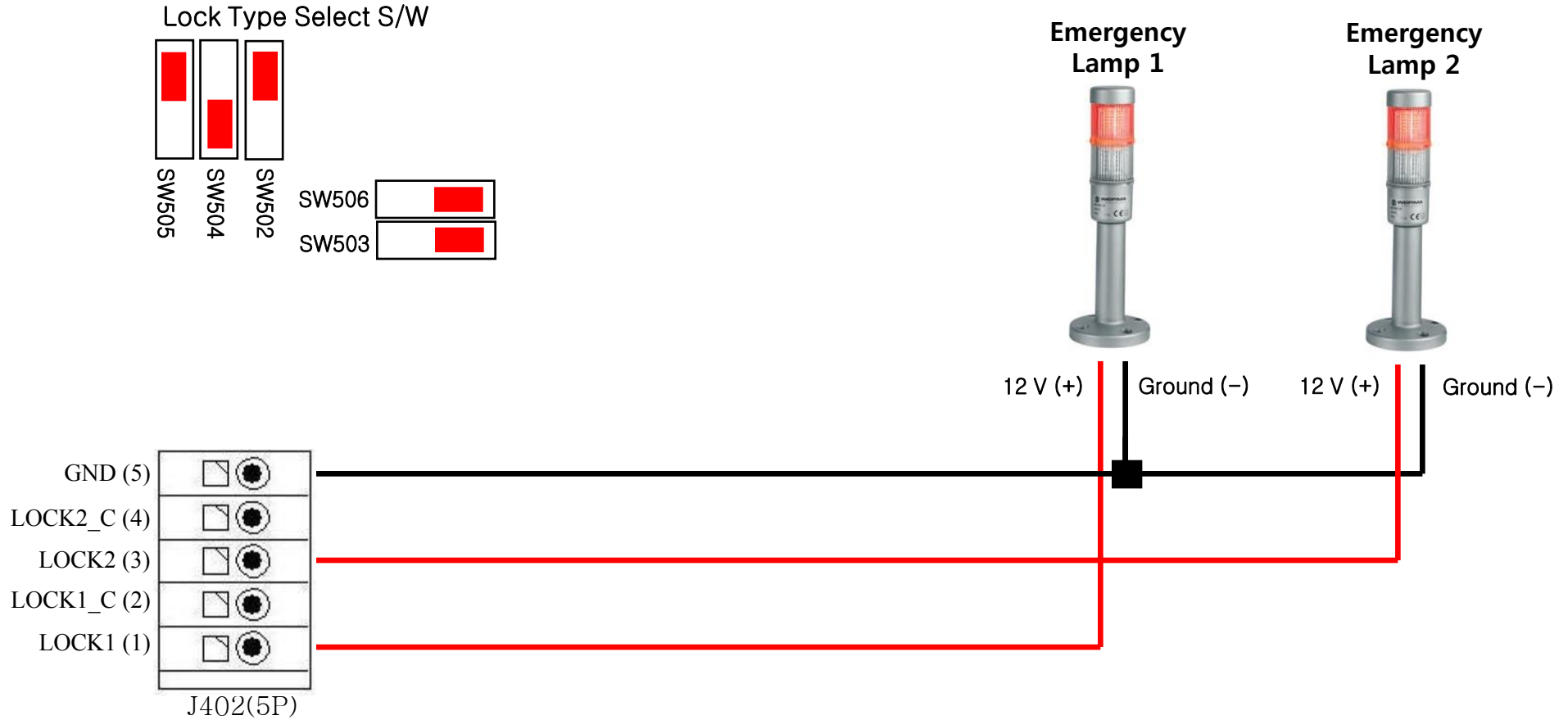
10.2. Connecting Two Systems/ One Door



11. Connecting a Motorised Lock



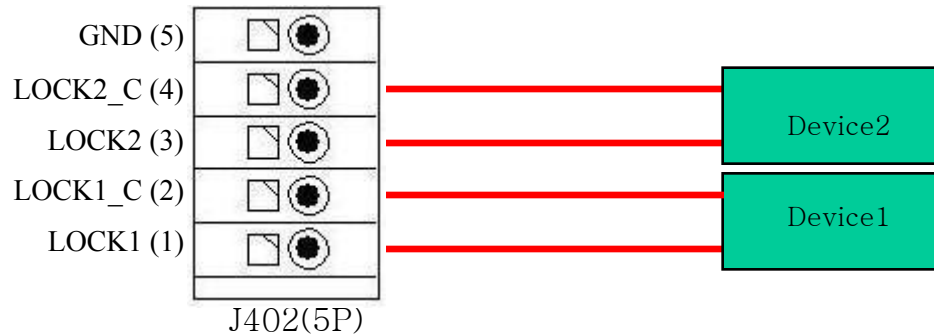
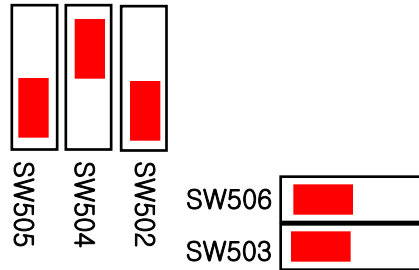
12. Connecting Two Emergency Lamps



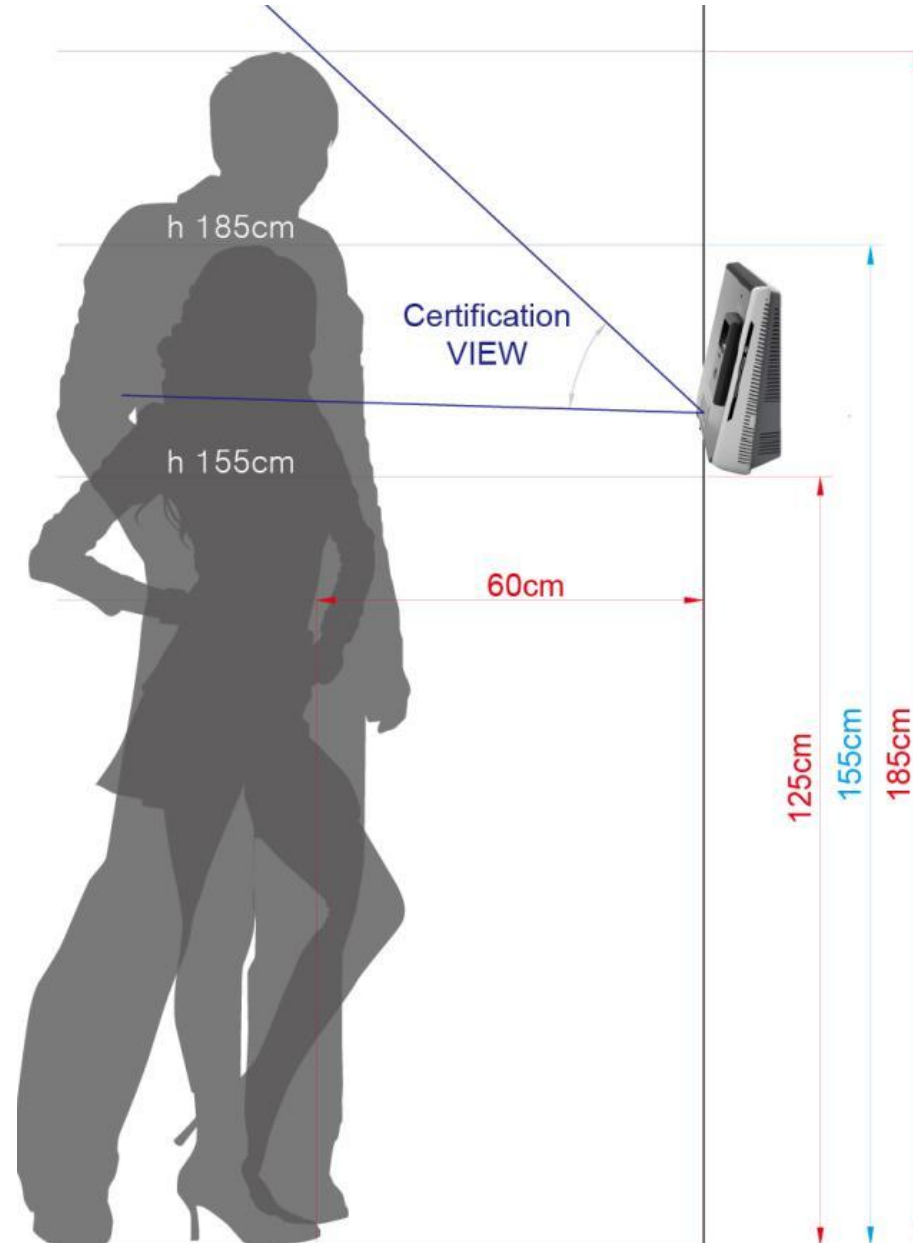
13. Connecting Two Non-powered contacts

Normally Open Type

Lock Type Select S/W



** Recommend installation guide



** 190cm 이상은 앞으로 약간 숙여 인증